

KILLER APPLETS

UPB Home Automation Control

Using Motion Detectors for Safety and Energy Savings

BENEFITS

- **Convenience**—lights will come on automatically as you enter a room
- **Economic**—save money by only turning on lights when needed
- **Safety and Security**—lights come on automatically to discourage would be thieves
- **Easily installed using:**
 - 1 DXT-54 PIR Motion Detector
 - 1 DXR-702 Wireless Receiver
 - 1 WMT TIM-01 V3
 - Various UPB lighting control devices
 - Optional DXT-42 keyfob or DXT-23 handheld transmitter



WHAT IS A KILLER APPLETS?

"Killer App" is industry jargon for an application that persuades users to buy the system it runs on.

There is no single killer app for home control, but there are many Killer Applets — UPB-based applications that can satisfy your individual needs.

Take a look at our collection of Killer Applets and we think you'll agree: home automation using UPB is the right choice to enhance the safety, security, and comfort of your home.

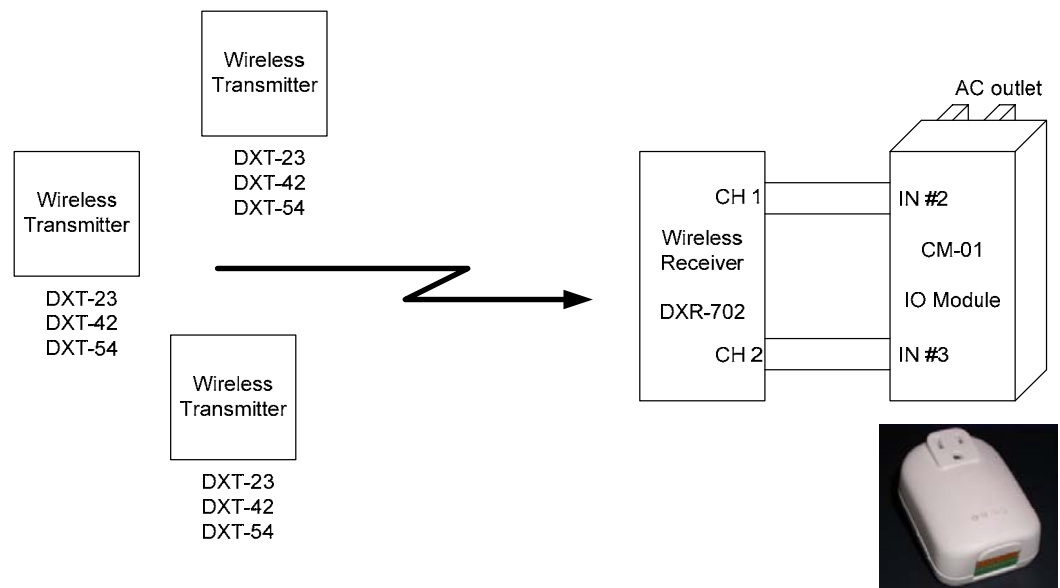
For UPB product information email us at:

info@webmtn.com.

For immediate attention call: **720-207-9174**.

Save energy by automatically turning off lights in unoccupied rooms.

THE GREEN SIDE OF LIGHTING CONTROL. Use a motion detector with UPB lighting to turn lights on automatically when someone enters a dark room. Use our TIM-01 trigger feature to automatically turn those same lights off after the room has been empty for a pre-determined amount of time.



A second use for the UPB/motion detector connection is to ward off prowlers. Using the TIM-01 trigger function, program in a small delay, say 6-10 seconds, before the lights come on after motion is sensed. If the lights come on very quickly after the thief enters an area where he thinks a motion detector might be located, the thief will suspect a simple motion detector is in operation. By adding in a small delay, the bad guy will be more likely to assume that someone heard or noticed him.