

KILLER APPLETT

UPB Home Automation Control

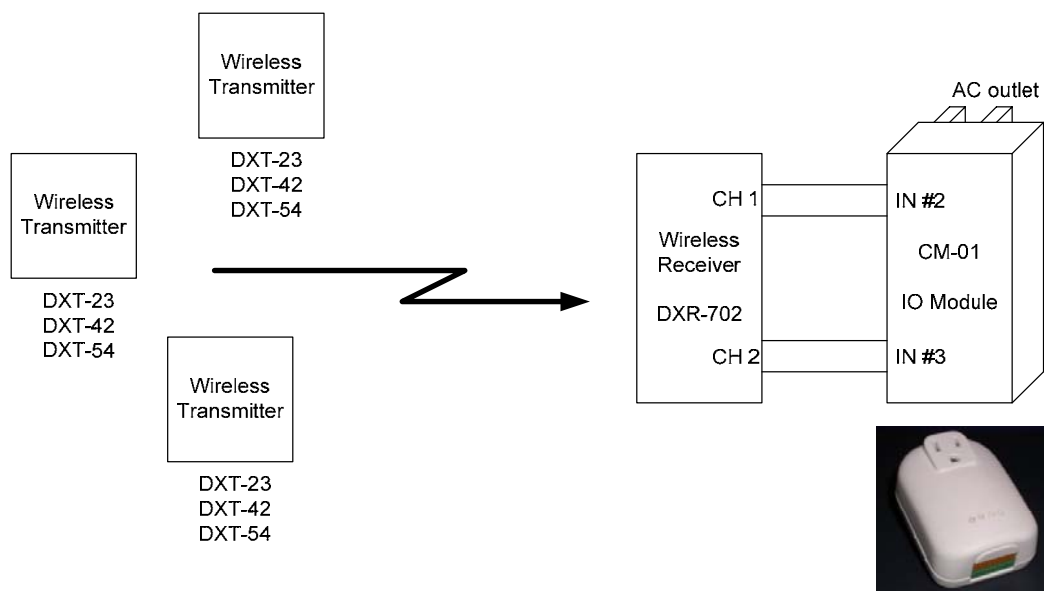
Wireless interface to UPB

BENEFITS

- **Convenience**—turn on / off lights from anywhere, including outside
- **Economic**—save money by turning off lights in unoccupied rooms
- **Safety and Security**—light up a dark house from the safety of your car
- **Easily installed using:**
 - 1 or more DXT series transmitters
 - 1 DXR-702 wireless receiver
 - 1 UPB CM-01 IO module

Provide a means to wirelessly control UPB Devices.

YOU NOW HAVE A NICE UPB INSTALLATION in your home. However, wouldn't it be nice to have lighting controlled by a wireless motion detector, or a handheld keyfob unit? You can do this using our wireless interface units, the DXR-702 receiver, the DXT-23 wireless handheld transmitter, the DXT-42 wireless keyfob transmitter, the DXT-54 wireless motion



WHAT IS A KILLER APPLETT?

"Killer App" is industry jargon for an application that persuades users to buy the system it runs on.

There is no single killer app for home control, but there are many Killer Applets — UPB-based applications that can satisfy your individual needs.

Take a look at our collection of Killer Applets and we think you'll agree: home automation using UPB is the right choice to enhance the safety, security, and comfort of your home.

For UPB product information email us at:

info@webmtn.com.

For immediate attention call: **720-207-9174**.

Detector unit, and the CM-01 UPB Combo Input Output module. The wireless receiver unit provides relay contact closure outputs that can be connected to the IO module. Now, when you press a button on one of the transmitters, or motion is detected, the receiver sees the wireless signal, closes its contacts, the IO module detects the contact closure, and sends out a UPB Link signal on the powerline network to control lights, appliances etc.